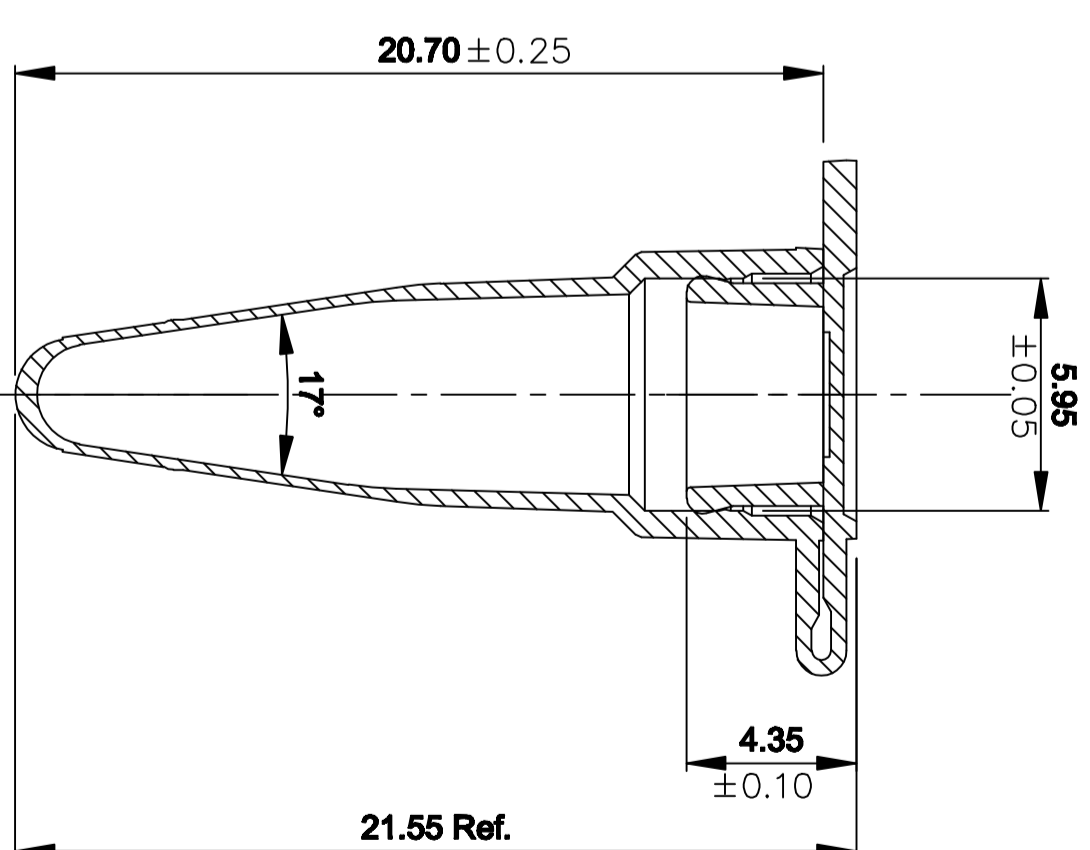
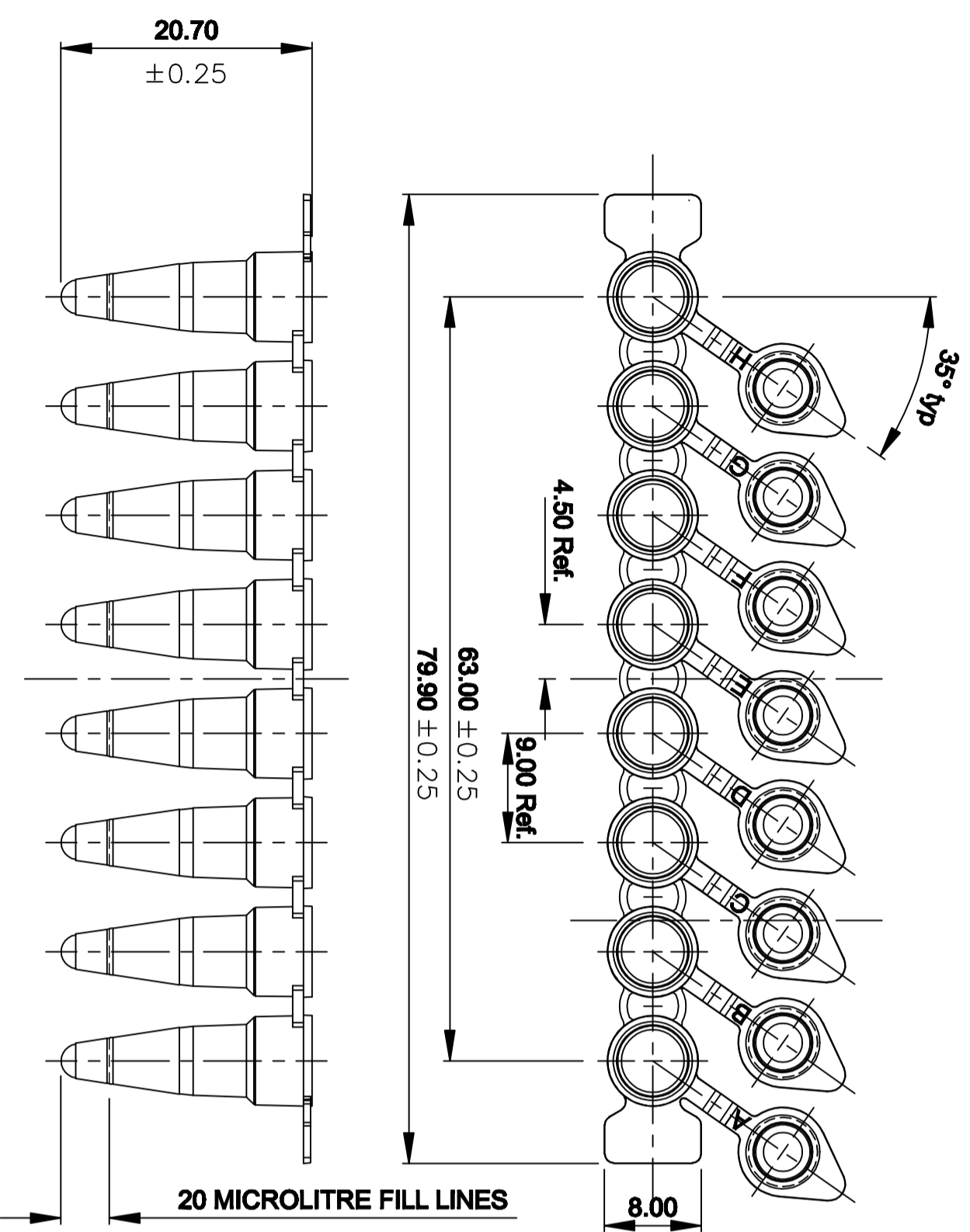


NOT TO SCALE

Copyright Thermofisher Scientific  
This drawing and/or any technical information relating to it is issued in strict confidence and may not be reproduced or used for manufacture without written permission. Upon receipt of which it is the users responsibility to seek confirmation of any dimensions and production tolerances.



SECTION thro' TUBE & CAP 8pos

TITLE

EasyStrip™ Plus, Ultra—Clear caps 0.2ml.

DRG. NO.

AB—2005

ISSUE

ORIGINAL

DATE

07/04/16

All dimensions in mm